



Illustrated Parts List

Model Series

441700

TYPE NUMBERS
0025 through 0883.

TABLE OF CONTENTS

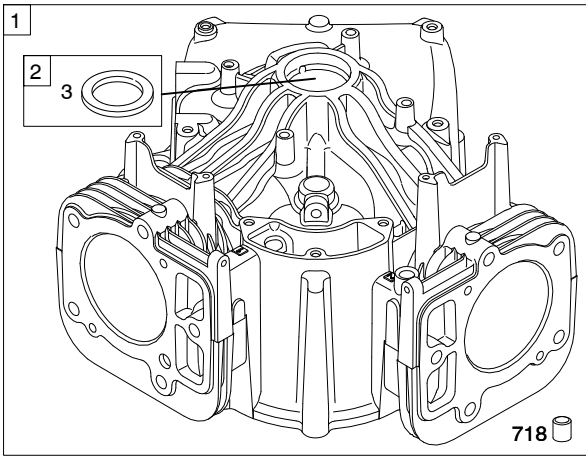
Air Cleaner	5
Alternator	7
Blower Housing	5
Camshaft	2
Carburetor	4
Controls	6
Crankshaft	2
Cylinder	2
Cylinder Head	3
Electric Starter	6
Engine Sump	2
Flywheel	6
Fuel Supply	7
Gasket Set - Engine	4
Gasket Set - Valve	3
Governor Spring	6
Ignition	7
Intake Manifold	3
Kit - Carburetor Overhaul	4
Lubrication	2
Piston, Rings, Connecting Rod	2
Valves	3



PRINTED IN U.S.A.

COPYRIGHT by BRIGGS & STRATTON CORPORATION
All rights reserved. No part of this material may be reproduced or transmitted, in any form or by any means, electronic or mechanical, including photocopying, recording or by any information storage and retrieval system, without permission in writing from Briggs & Stratton Corporation.

441700



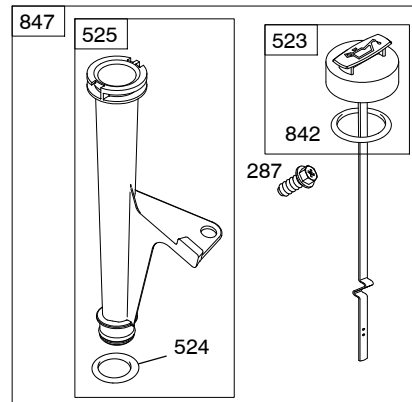
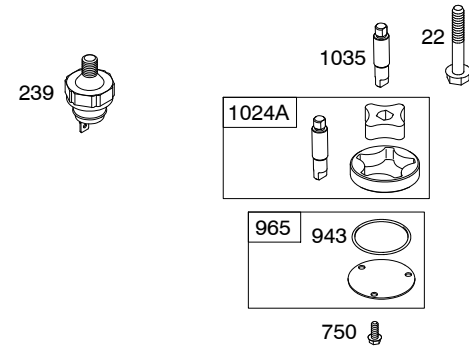
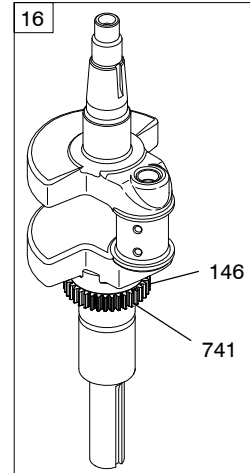
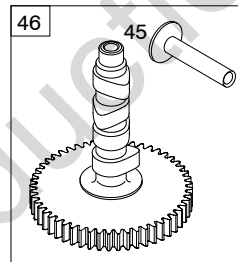
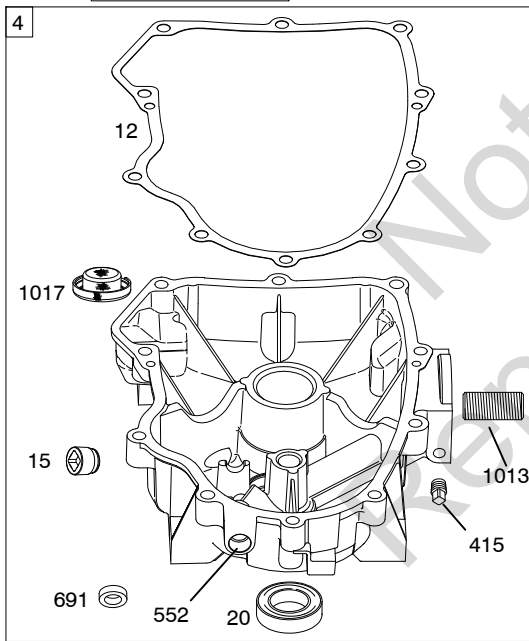
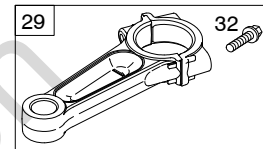
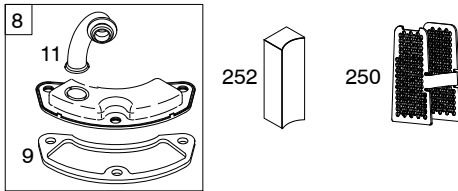
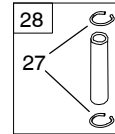
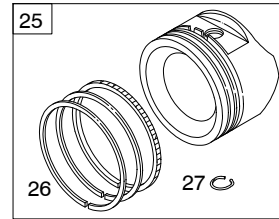
1319 WARNING LABEL

WARNING
 Read and follow Operator's Instructions before starting engine.
 Do not touch moving parts when engine is running.
 Do not touch hot surfaces.
 Do not touch engine or engine parts when engine is hot.
 Do not touch hot parts.

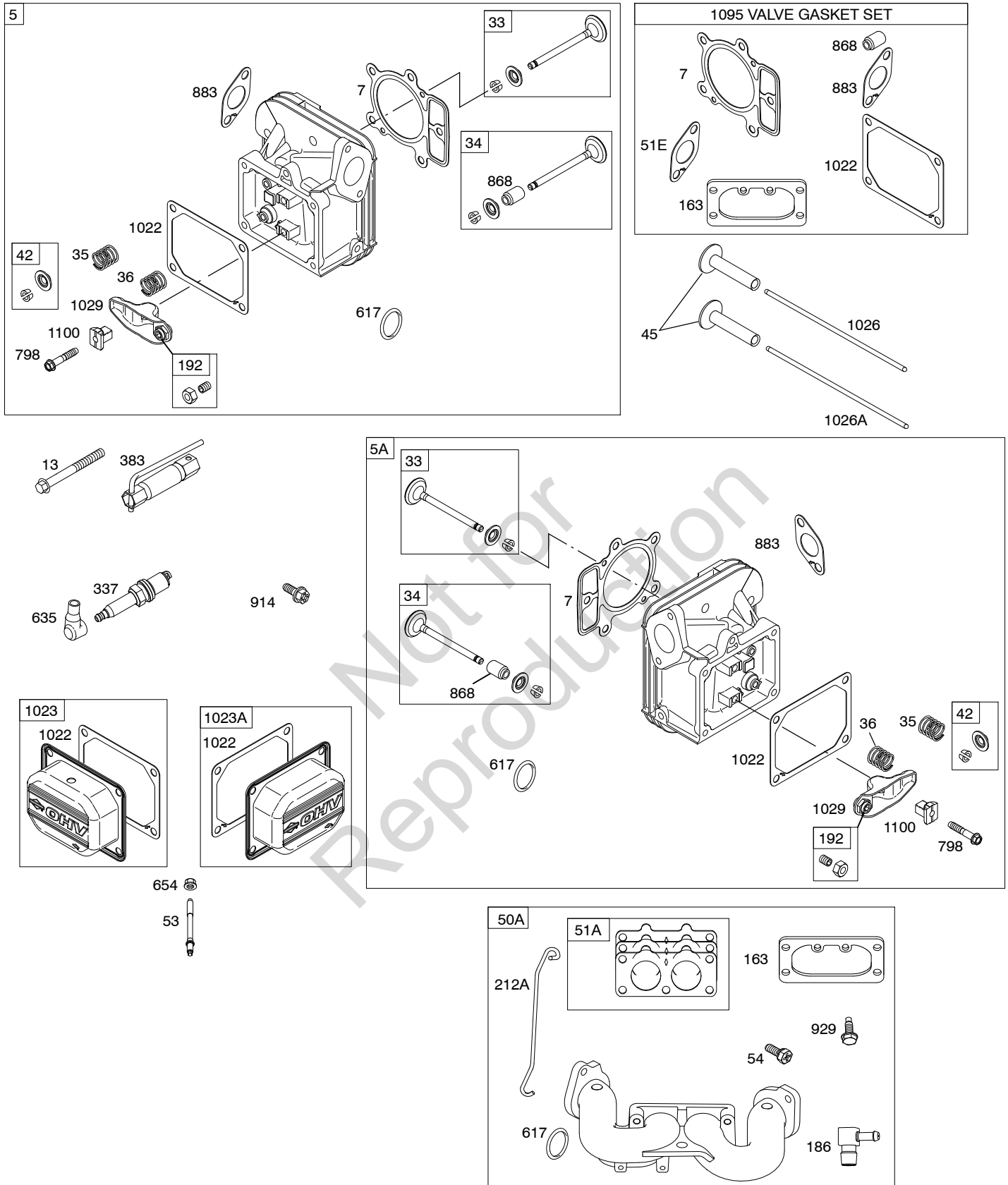
REQUIRED when replacing parts with warning labels affixed.

1058 OPERATOR'S MANUAL

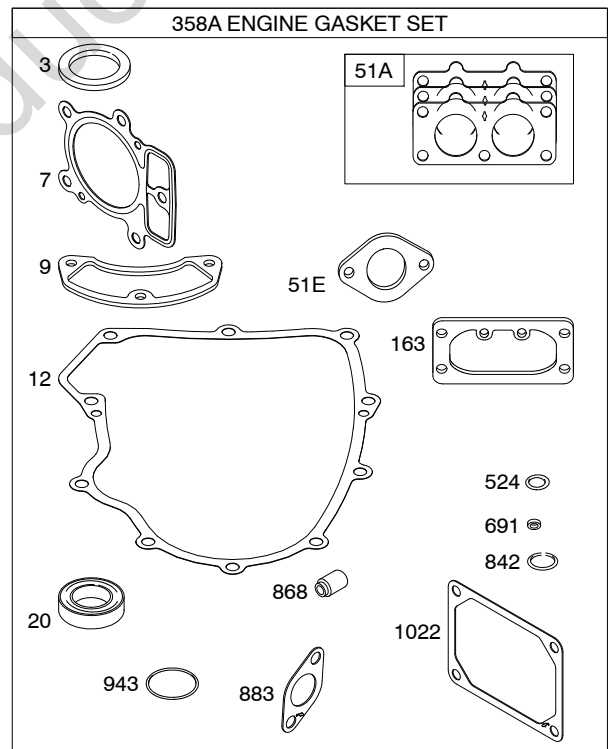
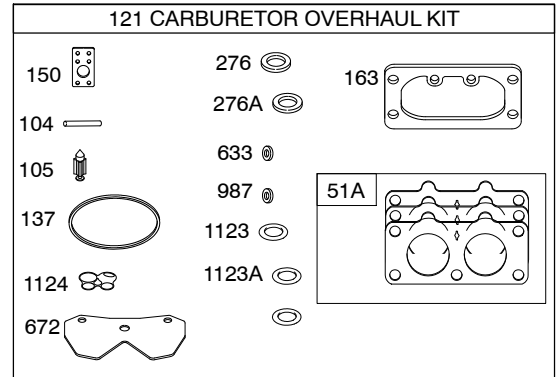
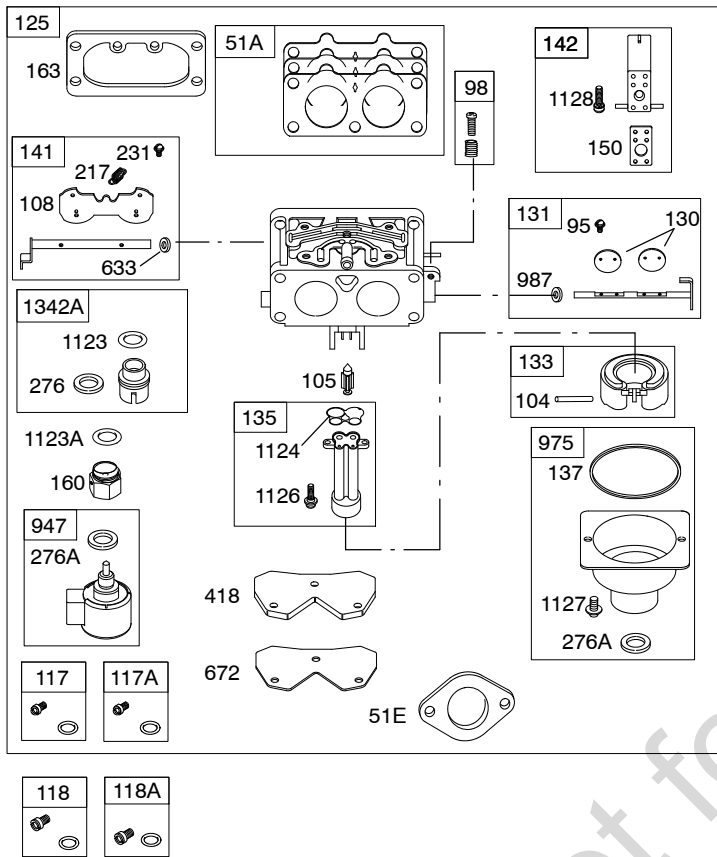
1330 REPAIR MANUAL



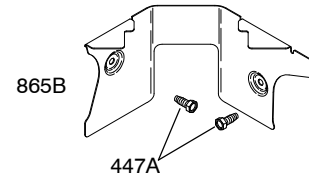
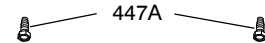
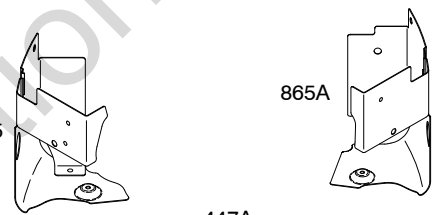
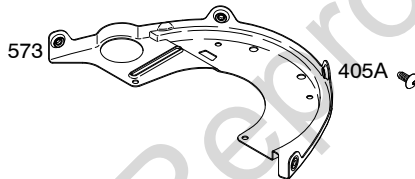
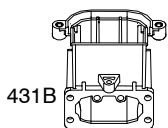
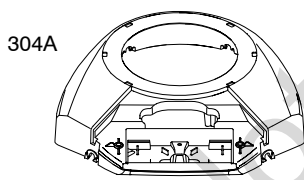
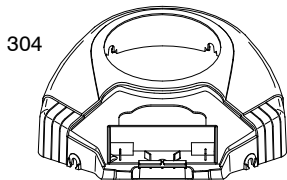
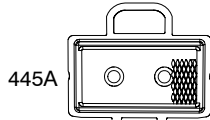
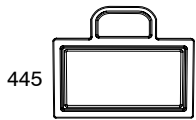
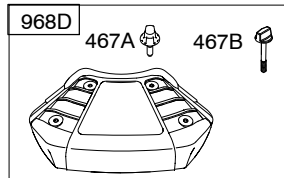
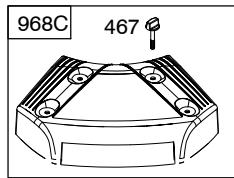
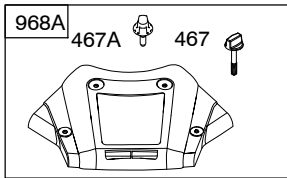
Illustrations cover a range of engines. Parts shown without corresponding text may not be used on your specific engine.
 3452-2 Assemblies include all parts shown in frames. 12/10/2008



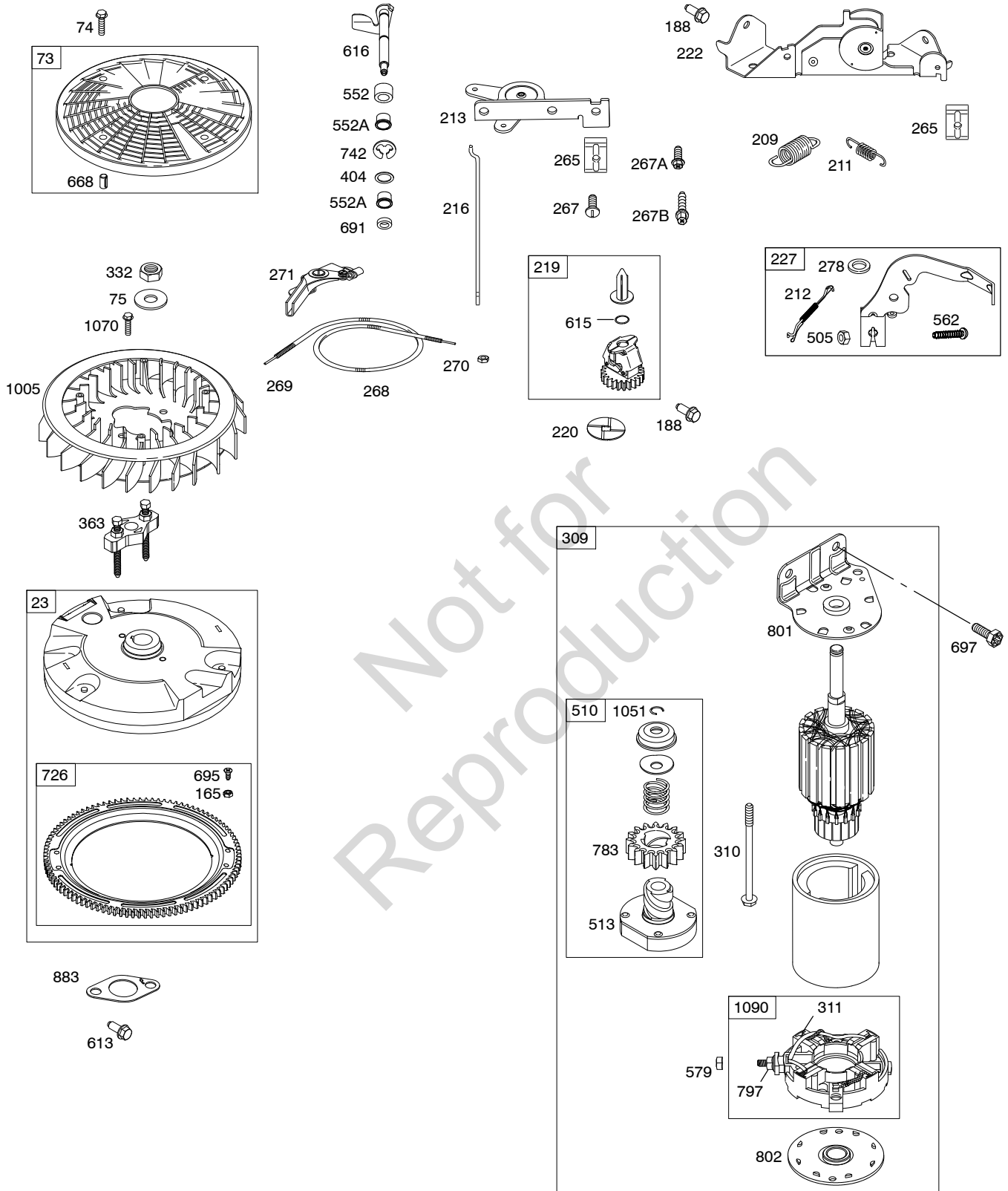
Illustrations cover a range of engines. Parts shown without corresponding text may not be used on your specific engine.
 3452-3 Assemblies include all parts shown in frames. 12/10/2008












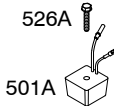
Not for
Reproduction

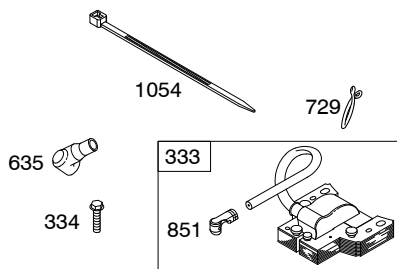
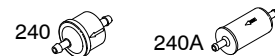
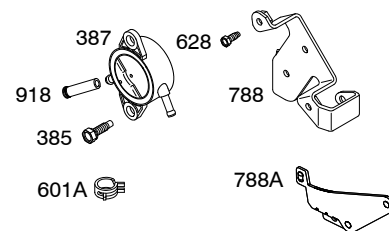
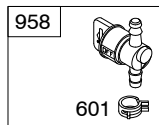
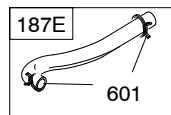
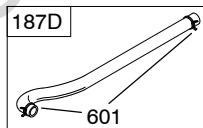
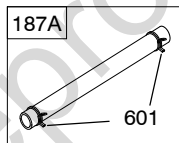
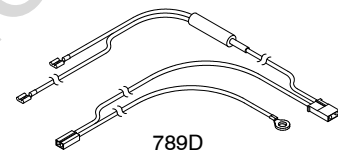
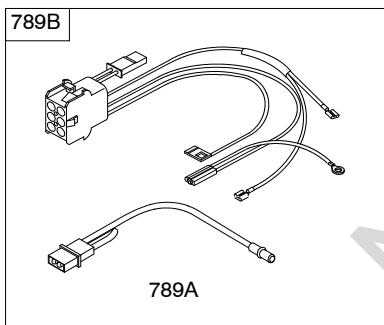


1036 EMISSIONS LABEL



Not for
Reproduction

DUAL CIRCUIT		10 - 16 AMP	5 - 9 AMP
474C	1059	474B	474A
877C	1059	877B	877A
			
878C		578A	578A
			
<p>NOTE: All stators use a No. 1119 mounting screw. </p> <p>NOTE: The proper flywheel part number and/or the alternator magnet size will determine the alternator type or output. See repair instruction manual for additional information.</p>		526B	526A
		501B	501A
			



441700

REF. NO.	PART NO.	DESCRIPTION	REF. NO.	PART NO.	DESCRIPTION	REF. NO.	PART NO.	DESCRIPTION
1	793564	Cylinder Assembly	27	690975	Lock-Piston Pin	121	792455	Kit-Carburetor Overhaul
2	499585	Kit-Bushing/Seal (Magneto Side)	28	690229	Pin-Piston (Standard)	125	791230	Carburetor
3	★391086s	Seal-Oil (Magneto Side)	29	699699	Rod-Connecting	130	690993	Valve-Throttle
4	699747	Sump-Engine	32	690976	Screw (Connecting Rod)	131	499805	Kit-Throttle Shaft
5	792299	Head-Cylinder (Cylinder #1)	33	499596	Valve-Exhaust	133	699724	Float-Carburetor
5A	792300	Head-Cylinder (Cylinder #2)	34	792200	Valve-Intake	135	699729	Tube-Fuel Transfer
7	★△693997	Gasket-Cylinder Head	35	694865	Spring-Valve (Intake)	137	●690994	Gasket-Float Bowl
8	792185	Breather Assembly	36	694865	Spring-Valve (Exhaust)	141	699722	Kit-Choke Shaft
9	★690937	Gasket-Breather	42	499586	Keeper-Valve	142	699726	Nozzle-Carburetor (Standard)
10	691108	Screw (Breather Assembly)	45	690977	Tappet-Valve	146	690979	Key-Timing
11	792184	Tube-Breather	46	790562	Camshaft	150	●690995	Gasket-Nozzle
12	★697227	Gasket-Crankcase	50A	695241	Manifold-Intake (Plastic)	160	699727	Retainer-Solenoid
13	791130	Screw (Cylinder Head)	51A	★791677	Gasket-Intake	163	★△691001	Gasket-Air Cleaner
15	691680	Plug-Oil Drain	51E	★△690949	Gasket-Intake	165	693148	Nut (Ring Gear)
15A	690946	Plug-Oil Drain	53	690951	Stud (Carburetor)	186	795985	Connector-Hose
16	699700	Crankshaft	54	699816	Screw (Intake Manifold)	187A	791766	Line-Fuel (Cut to Required Length)
		----- Note -----	73	494439	Screen-Rotating	187D	791744	Line-Fuel (Formed)(Cut to Required Length)
		790132 Crankshaft Used on Type No(s). 0026, 0568, 0722, 0788, 0800.	74	698425	Screw (Rotating Screen)	187E	791801	Line-Fuel (Formed)(Cut to Required Length)
20	★791892	Seal-Oil (PTO Side)	75	691056	Washer (Flywheel)	188	691108	Screw (Control Bracket)
22	694966	Screw (Crankcase Cover/Sump)	95	690718	Screw (Throttle Valve)	192	690083	Adjuster-Rocker Arm
23	691053	Flywheel	98	699721	Kit-Idle Speed			
		----- Note -----	104	●694918	Pin-Float Hinge			
		691054 Flywheel Used on Type No(s). 0025, 0283, 0437, 0651, 0726, 0785, 0883.	105	●698537	Valve-Float Needle			
24	222698s	Key-Flywheel	108	699723	Valve-Choke			
25	792023	Piston Assembly (Standard)	117	791501	Jet-Main (Standard) (Left) (Nikki)			
		----- Note -----	117A	791502	Jet-Main (Standard) (Right) (Nikki)			
		792072 Piston Assembly (.020" Oversize)	118	695415	Jet-Main (High Altitude) (Left) (Nikki)			
26	792026	Ring Set (Standard)	118A	843099	Jet-Main (High Altitude) (Right) (Nikki)			
		----- Note -----						
		792073 Ring Set (.020" Oversize)						

★ Included in Engine Gasket Set-Ref. No. 358A.

● Included in Carburetor Overhaul Kit-Ref. No. 121 or 121A.

△ Included in Valve Gasket Set-Ref. No 1095.

Illustrations cover a range of engines. Parts shown without corresponding text may not be used on your specific engine.

REF. NO.	PART NO.	DESCRIPTION	REF. NO.	PART NO.	DESCRIPTION	REF. NO.	PART NO.	DESCRIPTION	
209	793340	Spring-Governor (Orange) Used on Type No(s). 0129, 0130, 0288, 0651, 0722, 0750, 0788, 0797, 0883. ----- Note ----- 793339 Spring-Governor (Light Green) Used on Type No(s). 0766, 0785, 0790, 0800. 793342 Spring-Governor (Dark Blue) Used on Type No(s). 0127. 793341 Spring-Governor (Silver) Used on Type No(s). 0128. 795086 Spring-Governor Used on Type No(s). 0110. 793339 Spring-Governor (Light Green) (Used After Code Date 06081400). Used on Type No(s). 0025, 0026, 0027, 0119, 0121, 0123, 0283, 0284, 0568, 0726. 793340 Spring-Governor (Orange) (Used After Code Date 06081400). Used on Type No(s). 0110, 0116, 0117, 0118, 0428. 793342 Spring-Governor (Dark Blue) (Used After Code Date 06081400). Used on Type No(s). 0126, 0437.			793343 Spring-Governor (Purple) (Used After Code Date 06081400). Used on Type No(s). 0124. 697674 Spring-Governor (Brown) (Used Before Code Date 06081500). (Silver) Used on Type No(s). 0025, 0026, 0027, 0116, 0117, 0119, 0121, 0123, 0283, 0284, 0568, 0726. 698071 Spring-Governor (White) (Used Before Code Date 06081500). Used on Type No(s). 0118, 0428. 692909 Spring-Governor (Yellow) (Used Before Code Date 06081500). Used on Type No(s). 0126. 791606 Spring-Governor (No color) (Used Before Code Date 06081500). Used on Type No(s). 0124. 691018 Spring-Governor (Medium Green) (Used Before Code Date 06081500). Used on Type No(s). 0437.				212A 695238 Link-Throttle 213 691021 Bracket-Choke Control 216 691022 Link-Choke 217 695409 Spring-Choke Return 219 793338 Gear-Governor 220 690412 Washer (Governor Gear) 222 698761 Bracket-Control ----- Note ----- 698757 Bracket-Control Used on Type No(s). 0288, 0651, 0722, 0750, 0797, 0788, 0883. 227 796223 Lever-Governor Control (Used After Code Date 08071300). ----- Note ----- 792492 Lever-Governor Control (Used Before Code Date 08071400). 231 690718 Screw (Choke Valve) 239 792028 Switch-Oil Pressure Used on Type No(s). 0110, 0118, 0119, 0123, 0126, 0127, 0128, 0428. 240 691035 Filter-Fuel 240A 695666 Filter-Fuel Used on Type No(s). 0722, 0788. 250 690957 Retainer-Breather 252 690956 Collector-Oil 265 691044 Clamp-Casing 267 695134 Screw (Casing Clamp) (Length .630) 267A 695134 Screw (Casing Clamp) (Length .625) 267B 792629 Screw (Casing Clamp) (Length .703) 268 691025 Casing-Control Wire (Cut To Required Length) 269 691026 Wire-Control (Cut To Required Length) 270 691027 Nut (Control Wire Casing)
			211 691019 Spring-Governed Idle						
			212 695238 Link-Throttle (Used After Code Date 08071300). ----- Note ----- 792265 Link-Throttle (Used Before Code Date 08071400).						

★ Included in Engine Gasket Set-Ref. No. 358A.

△ Included in Valve Gasket Set-Ref. No 1095.

● Included in Carburetor Overhaul Kit-Ref. No. 121 or 121A.

Illustrations cover a range of engines. Parts shown without corresponding text may not be used on your specific engine.

441700

REF. NO.	PART NO.	DESCRIPTION	REF. NO.	PART NO.	DESCRIPTION	REF. NO.	PART NO.	DESCRIPTION
271	691028	Lever-Control	304A	796597	Housing-Blower (Black)		791243	Housing-Blower (Black)
276	★●690997	Washer-Sealing			(Used After Code Date 08082700).			(Used Before Code Date 08091500).
276A	●695410	Washer-Sealing Used on Type No(s). 0117.			Used on Type No(s). 0118, 0121B1, 0123B1, 0126, 0127, 0128, 0437.			Used on Type No(s). 0110, 0129, 0130, 0722, 0726, 0750, 0766.
278	792651	Washer (Governor Control Lever)			----- Note -----	305	691005	Screw (Blower Housing)
287	691108	Screw (Dipstick Tube)			796597 Housing- Blower (Black)	305B	790690	Screw (Blower Housing to Intake Elbow)
304	790688	Housing-Blower (Black) Used on Type No(s). 0121E1, 0123E1, 0785, 0788, 0790, 0797, 0800, 0883. ----- Note ----- 790688 Housing- Blower (Used Before Code Date 06103000). Used on Type No(s). 0025, 0026, 0027, 0116, 0117, 0118, 0119, 0124, 0283, 0284, 0288, 0428, 0437, 0568, 0651.			(Used After Code Date 08091400). Used on Type No(s). 0025, 0026, 0027, 0110, 0116, 0117, 0119, 0124, 0129, 0130, 0283, 0284, 0288, 0428, 0568, 0651, 0722, 0726, 0750, 0766.	309	497595	Motor-Starter ----- Note ----- 499521 Motor-Starter Used on Type No(s). 0110, 0117, 0118, 0119, 0121, 0123, 0126, 0127, 0128.
					791243 Housing- Blower (Black) (Used Before Code Date 08082800 and After Code Date 06102900). Used on Type No(s). 0118, 0437.	310	690323	Screw (Starter Motor) ----- Note ----- 691263 Screw (Starter Motor) Used on Type No(s). 0110, 0117, 0118, 0119, 0121, 0123, 0126, 0127, 0128.
					791243 Housing- Blower (Black) (Used Before Code Date 08091500 and After Code Date 06102900). Used on Type No(s). 0025, 0026, 0027, 0116, 0117, 0119, 0124, 0283, 0284, 0288, 0428, 0568, 0651.	311	497608	Brush Set
					791243 Housing- Blower (Black) (Used Before Code Date 08091500 and After Code Date 06102900). Used on Type No(s). 0025, 0026, 0027, 0116, 0117, 0119, 0124, 0283, 0284, 0288, 0428, 0568, 0651.	332	691059	Nut (Flywheel)
					791243 Housing- Blower (Black) (Used Before Code Date 08091500 and After Code Date 06102900). Used on Type No(s). 0025, 0026, 0027, 0116, 0117, 0119, 0124, 0283, 0284, 0288, 0428, 0568, 0651.	333	691060	Armature-Magneto
					791243 Housing- Blower (Black) (Used Before Code Date 08091500 and After Code Date 06102900). Used on Type No(s). 0025, 0026, 0027, 0116, 0117, 0119, 0124, 0283, 0284, 0288, 0428, 0568, 0651.	334	691061	Screw (Magneto Armature)
					791243 Housing- Blower (Black) (Used Before Code Date 08091500 and After Code Date 06102900). Used on Type No(s). 0025, 0026, 0027, 0116, 0117, 0119, 0124, 0283, 0284, 0288, 0428, 0568, 0651.	337	491055s	Plug-Spark ----- Note ----- 691043 Plug-Spark Used on Type No(s). 0025, 0026, 0027, 0110, 0118, 0121, 0123, 0124, 0126, 0127, 0128, 0288, 0651, 0750, 0797, 0883. 792015 Plug-Spark Used on Type No(s). 0437. 793541 Plug-Spark Used on Type No(s). 0722, 0788.

★ Included in Engine Gasket Set-Ref. No. 358A.

● Included in Carburetor Overhaul Kit-Ref. No. 121 or 121A.

△ Included in Valve Gasket Set-Ref. No 1095.

Illustrations cover a range of engines. Parts shown without corresponding text may not be used on your specific engine.

REF. NO.	PART NO.	DESCRIPTION	REF. NO.	PART NO.	DESCRIPTION	REF. NO.	PART NO.	DESCRIPTION
357	691483	Key-Drive Pulley	552	690552	Bushing-Governor Crank	703	691010	Clip
358A	694012	Gasket Set-Engine				718	690959	Pin-Locating
363	19203	Puller-Flywheel	552A	690553	Bushing-Governor Crank	726	499612	Gear-Ring
383	19374s	Wrench-Spark Plug				729	694123	Clip-Wire
385	691108	Screw (Fuel Pump)	562	690311	Bolt (Governor Control Lever)	741	690980	Gear-Timing
387	808656	Pump-Fuel				742	690328	Retainer-E Ring
404	690442	Washer (Governor Crank)	573	790444	Plate-Back	750	696999	Screw (Oil Pump Cover)
405A	697820	Screw (Back Plate)	578A	691208	Wire Assembly	783	695708	Gear-Pinion
415	794903	Plug	579	691029	Nut (Starter Cable)	788	691039	Bracket-Fuel Pump (Used Before Code Date 06072800).
418	690999	Plate-Carburetor	601	791850	Clamp-Hose (Green)			----- Note ----- 691039 Bracket-Fuel Pump (Used Before Code Date 06083100). Used on Type No(s). 0116, 0126, 0283.
431B	790816	Elbow-Intake	601A	691038	Clamp-Hose (Black)			
445	499486s	Filter-Air Cleaner Cartridge	613	690341	Screw (Muffler)			
445A	792101	Filter-Air Cleaner Cartridge Used on Type No(s). 0116, 0129, 0130, 0722.						
447	691003	Screw (Air Guide Cover)	615	698290	Retainer-Governor Shaft	788A	793145	Bracket-Fuel Pump (Used After Code Date 06072700).
447A	691108	Screw (Air Guide Cover)	616	691045	Crank-Governor			----- Note ----- 793145 Bracket-Fuel Pump (Used After Code Date 06083000). Used on Type No(s). 0116, 0126, 0283.
467	691008	Knob-Air Cleaner (1 1/2" Long)	617	697891	Seal-O Ring (Intake Manifold)			
467A	790697	Knob-Air Cleaner (1" Long)	628	691108	Screw (Fuel Pump Bracket) (Used Before Code Date 06072800).			
467B	791916	Knob-Air Cleaner (1 7/8" Long)	633	690998	Seal-Choke/Throttle Shaft	789A	790544	Harness-Wiring
474A	696457	Alternator (Tri Circuit)	635	66538s	Boot-Spark Plug	789B	698330	Harness-Wiring
474B	696458	Alternator (10-16 Amp Regulated)	654	690958	Nut (Carburetor)	789D	691220	Harness-Wiring
474C	696459	Alternator (Dual Circuit)	668	691215	Spacer	797	693167	Nut (Brush Retainer)
501A	794360	Regulator	672	690234	Gasket-Carburetor Plate	798	697890	Screw (Rocker Arm)
501B	691185	Regulator	691	790574	Seal-Governor Shaft	801	691283	Cap-Drive
505	691029	Nut (Governor Control Lever)	695	693149	Screw (Ring Gear)	802	691286	Cap-End
			697	690372	Screw (Drive Cap)	842	691031	Seal-O Ring (Dipstick Tube)
510	696541	Drive-Starter				847	499602	Dipstick/Tube Assembly
513	692024	Clutch-Drive				850	100100	Sealant-Liquid
523	691036	Dipstick				851	493880s	Terminal-Spark Plug
524	691032	Seal-Dipstick Tube				865	691012	Cover-Air Guide (Cylinder #1)
525	691037	Tube-Dipstick				865A	793205	Cover-Air Guide (Cylinder #2)
526A	691129	Screw (Regulator)				865B	691015	Cover-Air Guide (Valley)
526B	691108	Screw (Regulator)						

★ Included in Engine Gasket Set-Ref. No. 358A.

△ Included in Valve Gasket Set-Ref. No 1095.

● Included in Carburetor Overhaul Kit-Ref. No. 121 or 121A.

Illustrations cover a range of engines. Parts shown without corresponding text may not be used on your specific engine.

441700

REF. NO.	PART NO.	DESCRIPTION	REF. NO.	PART NO.	DESCRIPTION	REF. NO.	PART NO.	DESCRIPTION
868	Δ690968	Seal-Valve	968A	790689	Cover-Air Cleaner (Used Before Code Date 06103000).	987	●691000	Seal-Throttle Shaft
877A	393537	Wire/Connector-Alternator			Used on Type No(s). 0025, 0026, 0027, 0116, 0117, 0118, 0119, 0124, 0283, 0284, 0288, 0428, 0437, 0568, 0651.	1005	791236	Fan-Flywheel Used on Type No(s). 0110, 0121B1, 0123B1, 0126, 0127, 0128, 0129, 0130, 0722, 0726, 0750, 0766.
877B	399916	Wire/Connector-Alternator						----- Note -----
877C	393456	Wire/Connector-Alternator						790698 Fan-Flywheel
878C	398661	Harness-Alternator						Used on Type No(s). 0121E1, 0123E1, 0785, 0788, 0790, 0797, 0800, 0883.
883	690970	Gasket-Exhaust						----- Note -----
914	691127	Screw (Rocker Cover)						790689 Cover-Air Cleaner
918	793147	Hose-Vacuum (Used After Code Date 06072700).						Used on Type No(s). 0121E1, 0123E1, 0785, 0788, 0790, 0797, 0800, 0883.
		----- Note -----	968C	791242	Cover-Air Cleaner (Used After Code Date 06102900).			Used on Type No(s). 0025, 0026, 0027, 0116, 0117, 0118, 0119, 0124, 0283, 0284, 0288, 0428, 0437, 0568, 0651.
		694000 Hose-Vacuum (Used Before Code Date 06072800).						791236 Fan-Flywheel (Used After Code Date 06102900).
929	695239	Screw (Choke Control Bracket)						Used on Type No(s). 0025, 0026, 0027, 0116, 0117, 0118, 0119, 0124, 0283, 0284, 0288, 0428, 0437, 0568, 0651.
943	★690589	Seal-O Ring (Oil Pump Cover)						790698 Fan-Flywheel (Used Before Code Date 06103000).
947A	841546	Solenoid-Fuel ----- Note ----- 841546 Solenoid-Fuel Used on Type No(s). 0117. Used on Type No(s). 0117. (Used After Code Date 07060300).						Used on Type No(s). 0025, 0026, 0027, 0116, 0117, 0118, 0119, 0124, 0283, 0284, 0288, 0428, 0437, 0568, 0651.
		699728 Solenoid-Fuel (Used Before Code Date 07060400). Used on Type No(s). 0117.	968D	791915	Cover-Air Cleaner (Used Before Code Date 06103000).	1013	690954	Nipple-Oil Filter
958	698183	Valve-Fuel Shut Off				1017	690770	Screen-Oil Pump
965	499613	Cover-Oil Pump				1022	★Δ690971	Gasket-Rocker Cover
967	273638s	Filter-Pre Cleaner	975	499810	Bowl-Float ----- Note ----- 499810 Bowl-Float (Used After Code Date 07060300). Used on Type No(s). 0117. 793592 Bowl-Float (Used Before Code Date 07060400). Used on Type No(s). 0117.	1023	793146	Cover-Rocker (Cylinder #1) (Used After Code Date 06072700).
								----- Note -----
								499599 Cover-Rocker (Cylinder #1) (Used Before Code Date 06072800).
						1023A	499600	Cover-Rocker (Cylinder #2)
						1024A	794416	Pump-Oil

★ Included in Engine Gasket Set-Ref. No. 358A.

● Included in Carburetor Overhaul Kit-Ref. No. 121 or 121A.

Δ Included in Valve Gasket Set-Ref. No 1095.

Illustrations cover a range of engines. Parts shown without corresponding text may not be used on your specific engine.

REF. NO.	PART NO.	DESCRIPTION	REF. NO.	PART NO.	DESCRIPTION	REF. NO.	PART NO.	DESCRIPTION
1026	690981	Rod-Push (Steel)	1090	691293	Retainer-Brush	1127	690992	Screw (Float Bowl)
1026A	690982	Rod-Push (Aluminum)	1095	694013	Gasket Set-Valve			----- Note -----
1027	492932s	Filter-Oil	1100	791959	Pivot-Rocker Arm			690992 Screw (Float Bowl)
1027A	696854	Filter-Oil Used on Type No(s). 0722, 0788.	1119	691183	Screw (Alternator)			(Used After Code Date 07060300).
1029	690972	Arm-Rocker	1123	●699725	Seal-O Ring (Solenoid Retainer)			Used on Type No(s). 0117.
1035	691042	Shaft-Pump	1123A	●841653	Seal-O Ring (Solenoid Retainer)			695407 Screw (Float Bowl)
1036		Label-Emissions (Available from a Briggs & Stratton Authorized Service Dealer)	1124	●690988	Seal-O Ring (Fuel Transfer Tube)			Used on Type No(s). 0117.
1040	791237	Plate-Trim	1126	690991	Screw (Fuel Transfer Tube)	1128	690990	Screw (Carburetor Nozzle)
1051	691265	Ring-Retaining				1330	273521	Repair Manual
1054	280275	Tie-Cable				1342A	699731	Extension-Fuel Transfer Tube
1058	277103	Operator's Manual						
1059	698516	Kit-Screw/Washer (Alternator)						
1070	690372	Screw (Flywheel Fan)						

★ Included in Engine Gasket Set-Ref. No. 358A.

△ Included in Valve Gasket Set-Ref. No 1095.

● Included in Carburetor Overhaul Kit-Ref. No. 121 or 121A.

Illustrations cover a range of engines. Parts shown without corresponding text may not be used on your specific engine.

Not for
Reproduction

Not for
Reproduction

Not for
Reproduction

